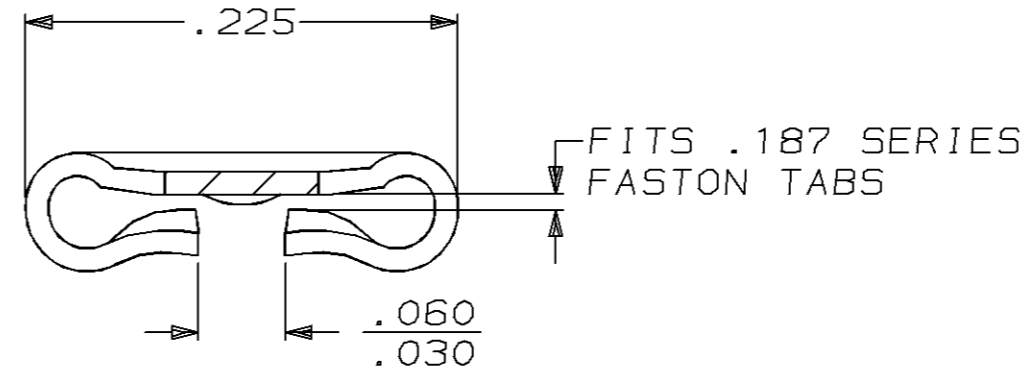
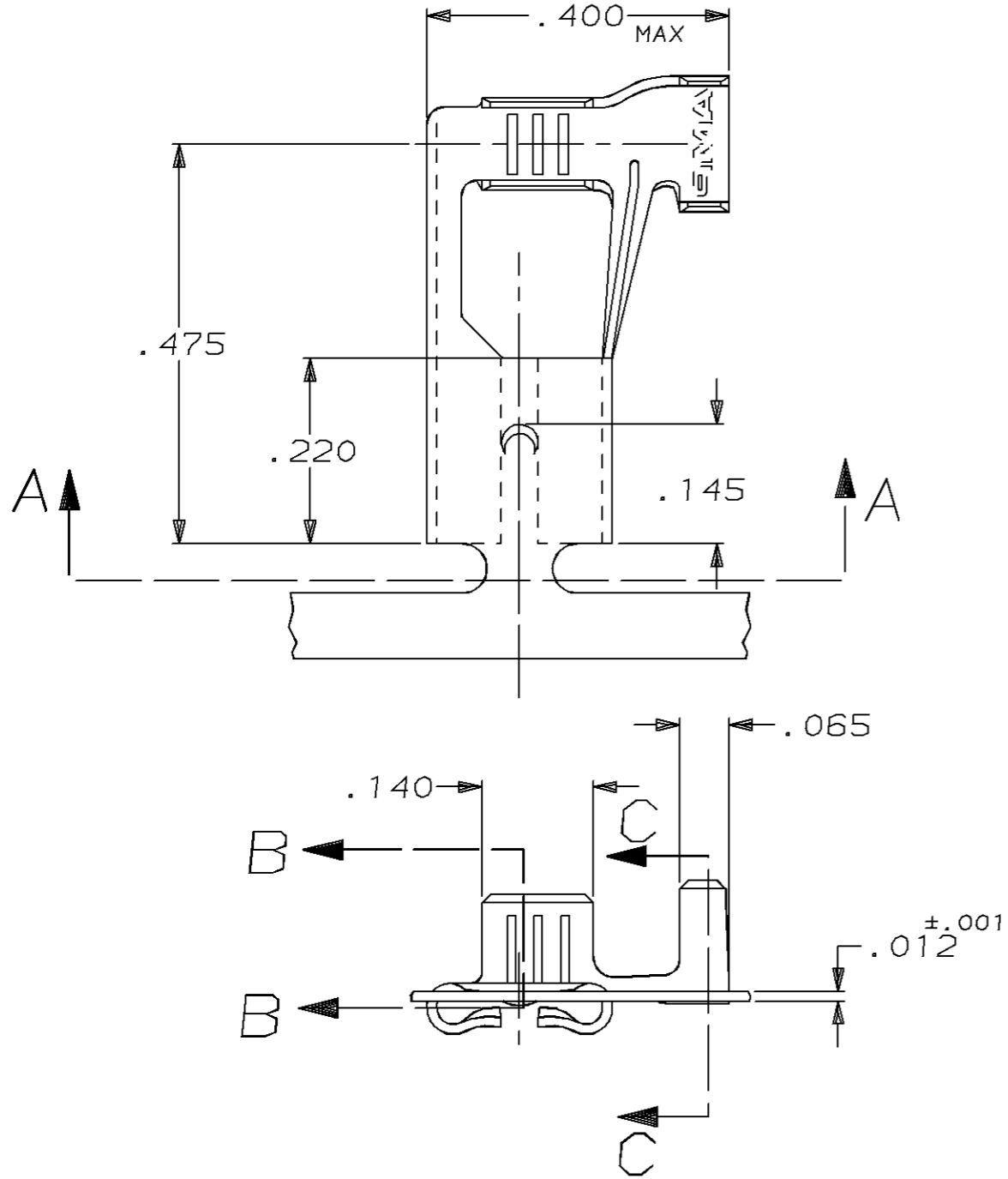


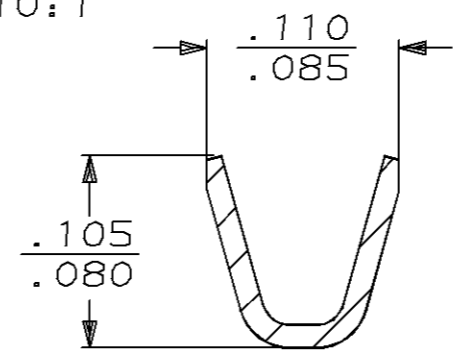
THIS DRAWING IS UNPUBLISHED. RELEASED FOR PUBLICATION, 19
 © COPYRIGHT 19 BY AMP INCORPORATED. ALL INTERNATIONAL RIGHTS RESERVED.

LOC	DIST	P	F	REVISIONS				
AF	50			ZONE	LTR	DESCRIPTION	DATE	APPD
					D	REV PER 0433-94	8/23/94	JR/PD

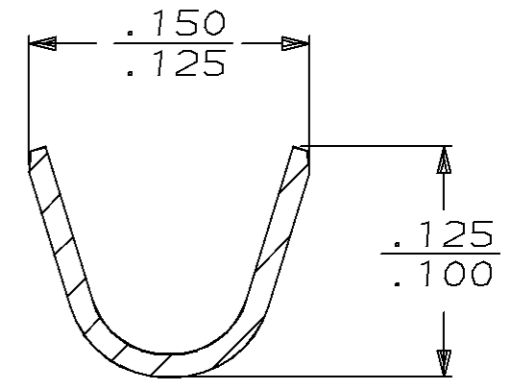
1 CONTINUOUS STRIP ON REELS.



SECTION A-A
SCALE 10:1



SECTION B-B
SCALE 10:1



SECTION C-C
SCALE 10:1

.060-.090 DIA	22-18 AWG	TIN .000080 MIN	.020	62085-2
		-		62085-1
INSULATION RANGE	WIRE SIZE	FINISH	MATING TAB THK $\pm .001$	PART NO
DO NOT SCALE PRINT. UNLESS SPECIFIED DIMENSIONS ARE IN INCHES TOLERANCES ON: 2 PLC DEC \pm - 3 PLC DEC \pm .015 ANGLES \pm -	DR 11/5/91 JR RUTH CHK 11/5/91 MS FEHER APPD 11/5/91 C MEYERS	AMP AMP Incorporated Harrisburg, PA 17105-3608		
MATERIAL H04 BRASS	APPD 11/5/91 D REINER PRODUCT SPEC	NAME RECEPTACLE, FASTON, FLAG, .187 SERIES		
FINISH SEE TABLE	APPLICATION SPEC	SIZE B	CAGE CODE 00779	DRAWING NO 62085
	WEIGHT -	SCALE 5:1	SHEET 1 OF 1	